

Sample (for viewing only)

FOOTING SIZE OR PIER SIZE	SUPPORTED AREA SQ.M. (SQ.FT.)	MIN. DIAMETER	MIN. THICKNESS

ALTERNATIVE FOUNDATIONS FOR DETACHED DECKS

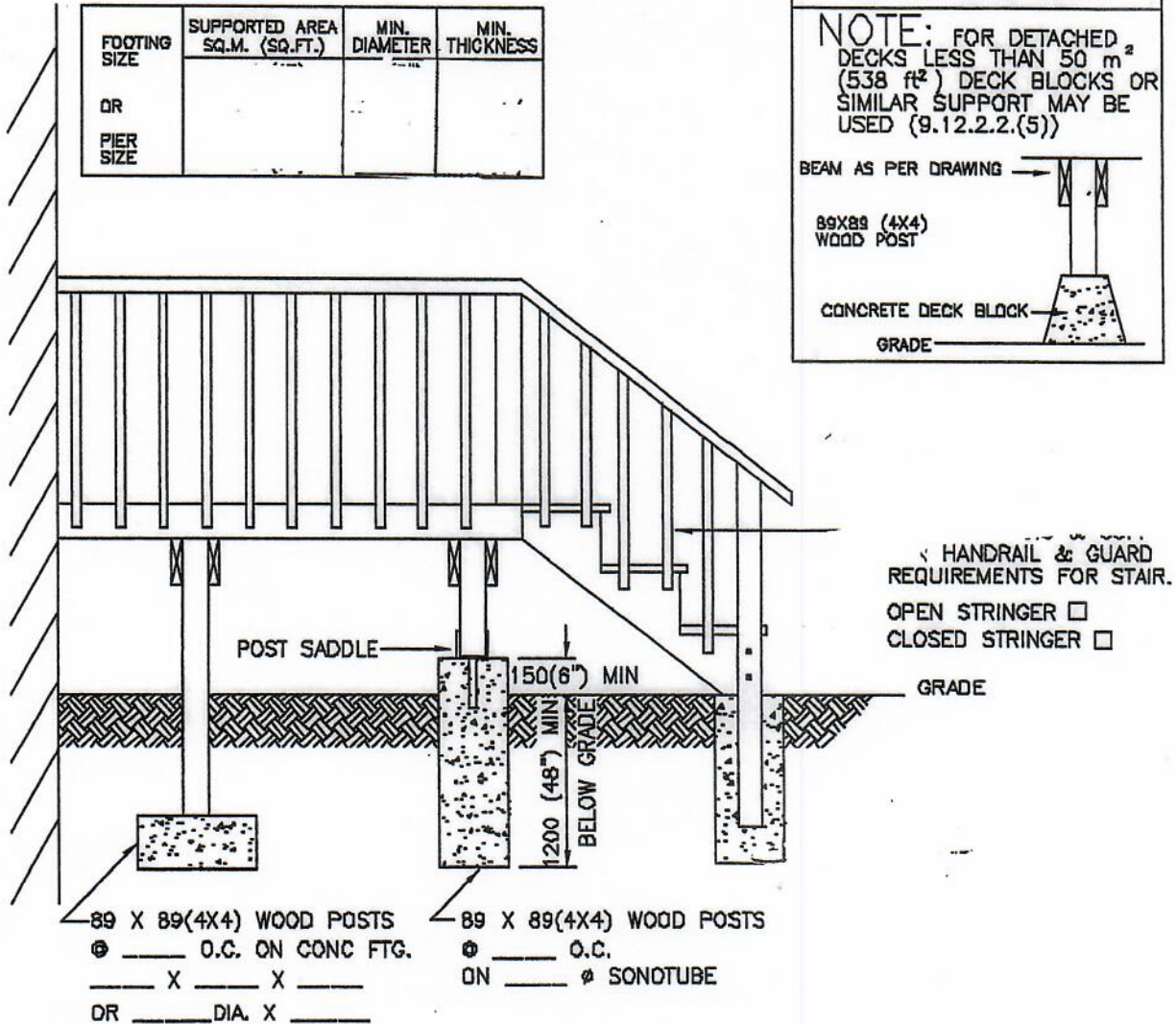
NOTE: FOR DETACHED DECKS LESS THAN 50 m² (538 ft²) DECK BLOCKS OR SIMILAR SUPPORT MAY BE USED (9.12.2.2.(5))

BEAM AS PER DRAWING

89X89 (4X4) WOOD POST

CONCRETE DECK BLOCK

GRADE



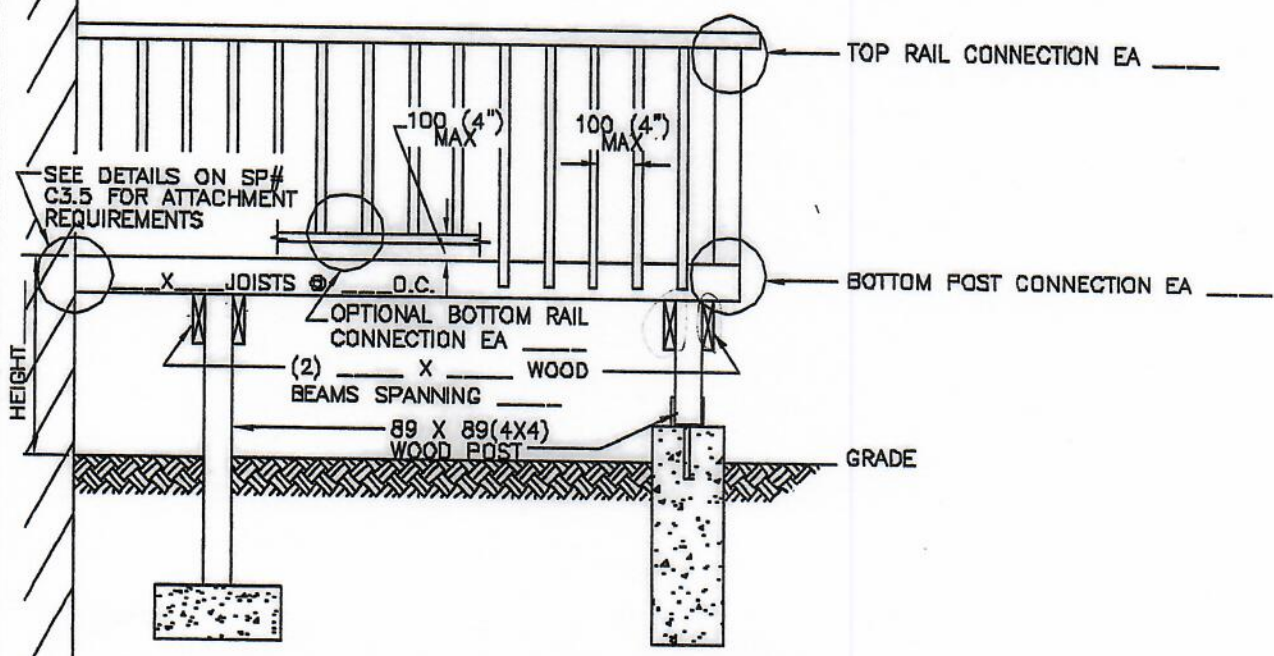
NOTE: ALL WOOD MEMBERS IN CONTACT WITH GROUND TO BE PRESSURE TREATED
UNDERSIDE OF PIERS/FOOTINGS TO BEAR ON UNDISTURBED SOIL

EXTERIOR WALL OPENINGS
 EXISTING OPENING SIZE: _____
 NEW OPENING SIZE: _____

NEW LINTELS
 WOOD LINTEL (2) _____ X _____
 BRICK LINTEL _____ X _____

TYPE OF LUMBER
 CEDAR
 PRESSURE TREATED
 UNTREATED

GUARD HEIGHT (DECK & LANDINGS)
 -600 (23 5/8") FROM GRADE OR LESS NO GUARD REQUIRED
 -1800 (5'-11") MAX FROM GRADE MIN GUARD 900 (2'-11")
 -OVER 1800 (5'-11") FROM GRADE, MIN GUARD 1070 (3'-6")
 -ALL REQUIRED GUARDS TO HAVE 100 (4") MAX OPENINGS
 AND NO HORIZONTAL MEMBER BETWEEN 100 (4") AND 900 (2'-11") ABOVE TOP OF DECK TO FACILITATE CLIMBING



SEE DETAILS ON SP# C3.5 FOR ATTACHMENT REQUIREMENTS

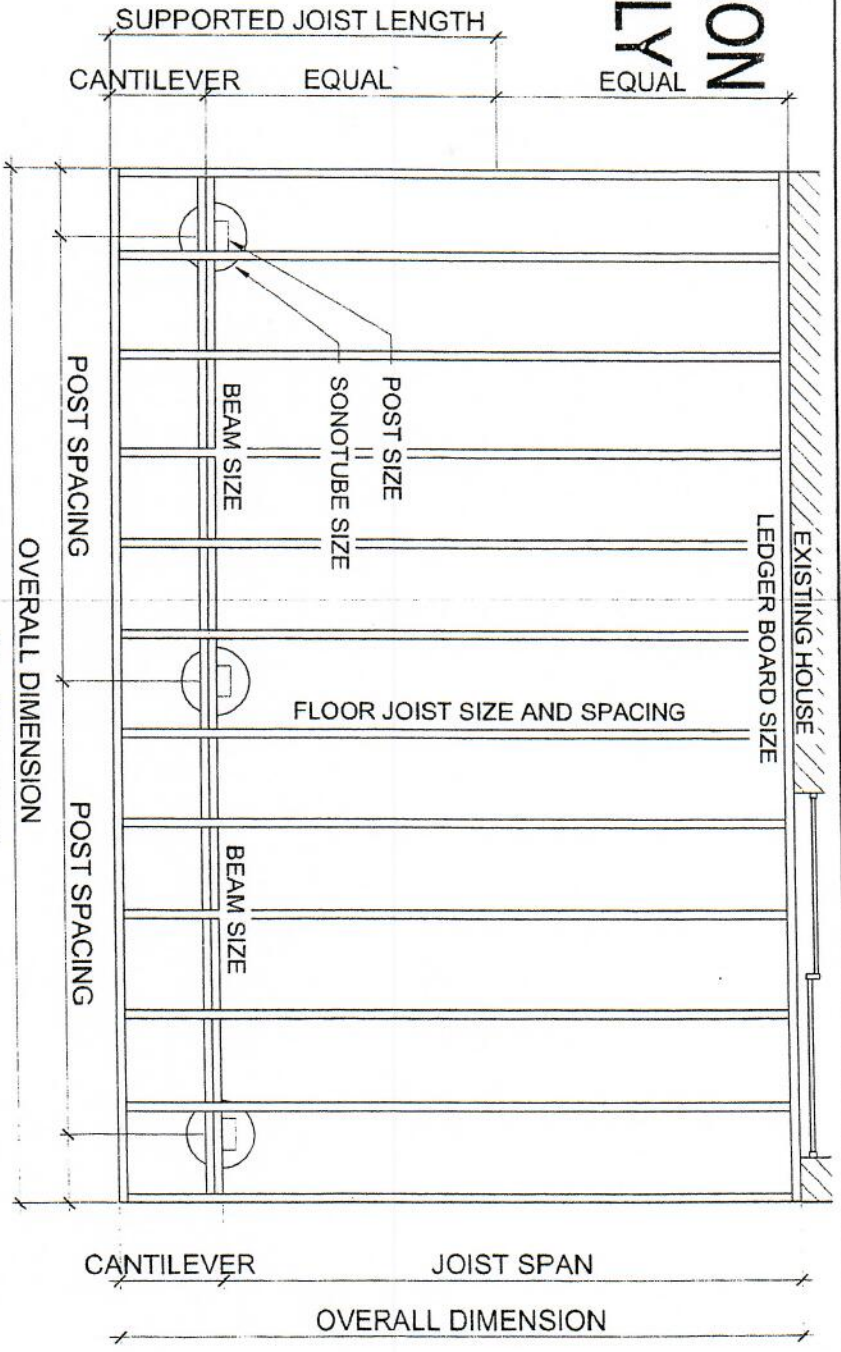
HEIGHT

2 PLY BEAM SPAN	
SIZE	SPAN

JOIST SPAN			MAX CANTILEVER BEYOND BEAM
SIZE	300(12") O.C.	400(16") O.C.	

NOTE: JOIST TO EXTEND BACK 3 TIMES THE LENGTH OF CANTILEVER

FOR INFORMATION PURPOSES ONLY



**All decking is to be 5/4 x 6 wood material or approved equal

Deck Layout
and Span
Tables

DATE:
JANUARY 2013

SCALE:
NOT TO SCALE

DRAWING NO.:

9-3a

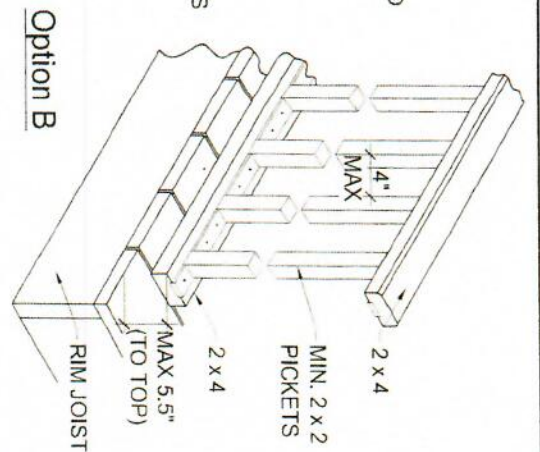
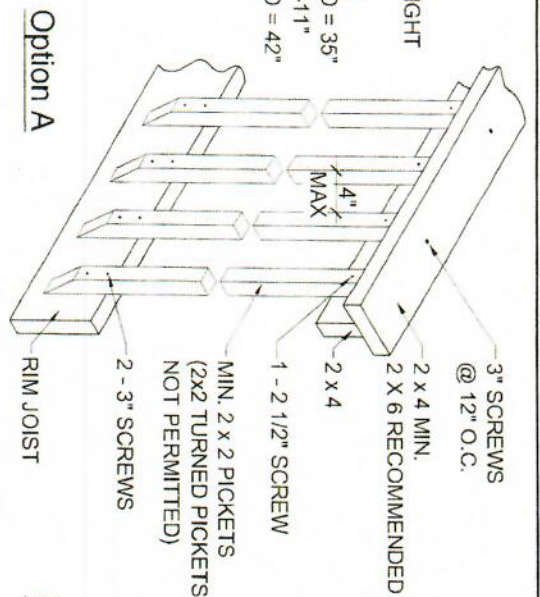
Supported Joist Length	2 x 8	2 x 10	2 x 12
4'-0"	11'-7"	14'-10"	17'-4"
6'-0"	9'-10"	12'-1"	14'-0"
8'-0"	8'-7"	10'-6"	12'-3"
10'-0"	7'-8"	9'-4"	10'-8"
Maximum 3-Ply Beam Length			
8'-0"	10'-8"	13'-0"	15'-1"
10'-0"	9'-6"	11'-8"	13'-6"

Joist Size	Max. Span	Max. Cantilever
2x8 @ 12" O.C.	12'-6"	20"
2x8 @ 16" O.C.	11'-9"	16"
2x8 @ 24" O.C.	11'-0"	14"
2x10 @ 12" O.C.	14'-6"	28"
2x10 @ 16" O.C.	13'-8"	24"
2x10 @ 24" O.C.	12'-10"	20"
2x12 @ 12" O.C.	16'-5"	28"
2x12 @ 16" O.C.	15'-6"	24"
2x12 @ 24" O.C.	14'-6"	20"

Deck Layout

FOR INFORMATION PURPOSES ONLY

MIN. GUARD HEIGHT
WITH DECKS:
- 5'-1" OR LESS
ABOVE GROUND = 35"
- MORE THAN 5'-11"
ABOVE GROUND = 42"

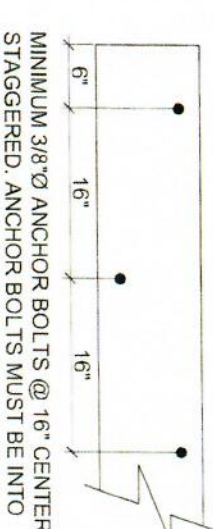
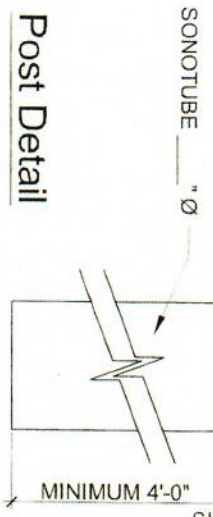
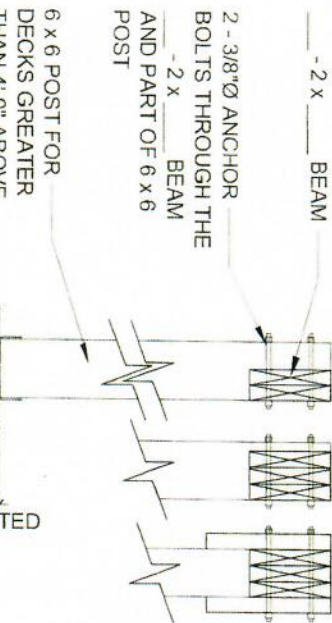


NOTE: ANYTHING OTHER THAN A WOOD GUARD/RAILING, PLEASE SUBMIT A COPY OF THE PRE-ENGINEERED GAURD/RAILING DETAILS WITH YOUR BUILDING APPLICATION.

Deck Details

Guard Details

Guard, Post, Beam, Footing and Ledger Board



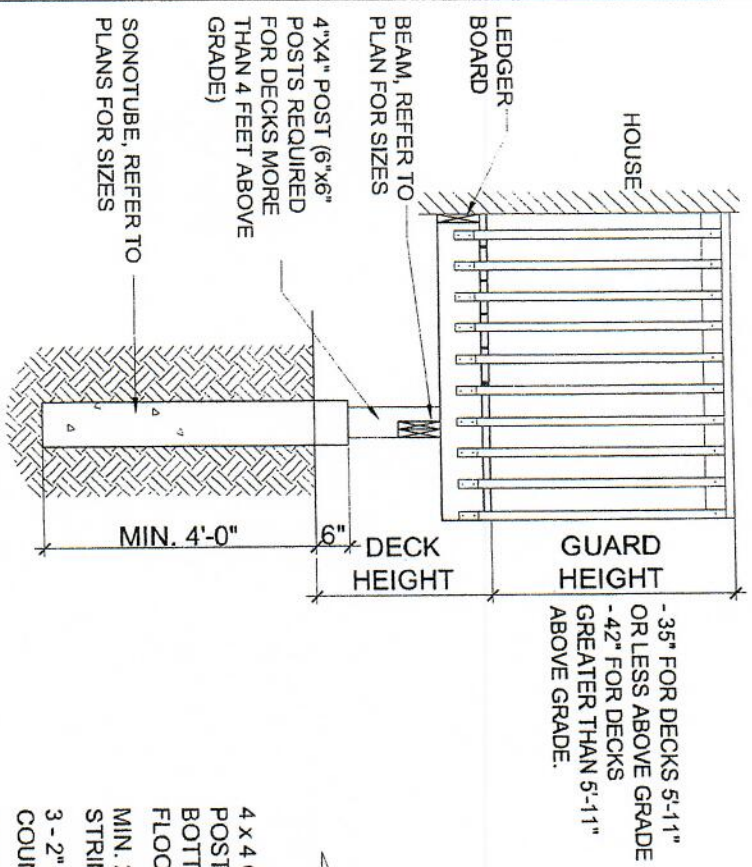
MINIMUM 3/8"Ø ANCHOR BOLTS @ 16" CENTERS STAGGERED. ANCHOR BOLTS MUST BE INTO WOOD FRAMING OR FOUNDATION WALL. DO NOT SECURE INTO BRICK VENEER ALONE.

Ledger Board Detail

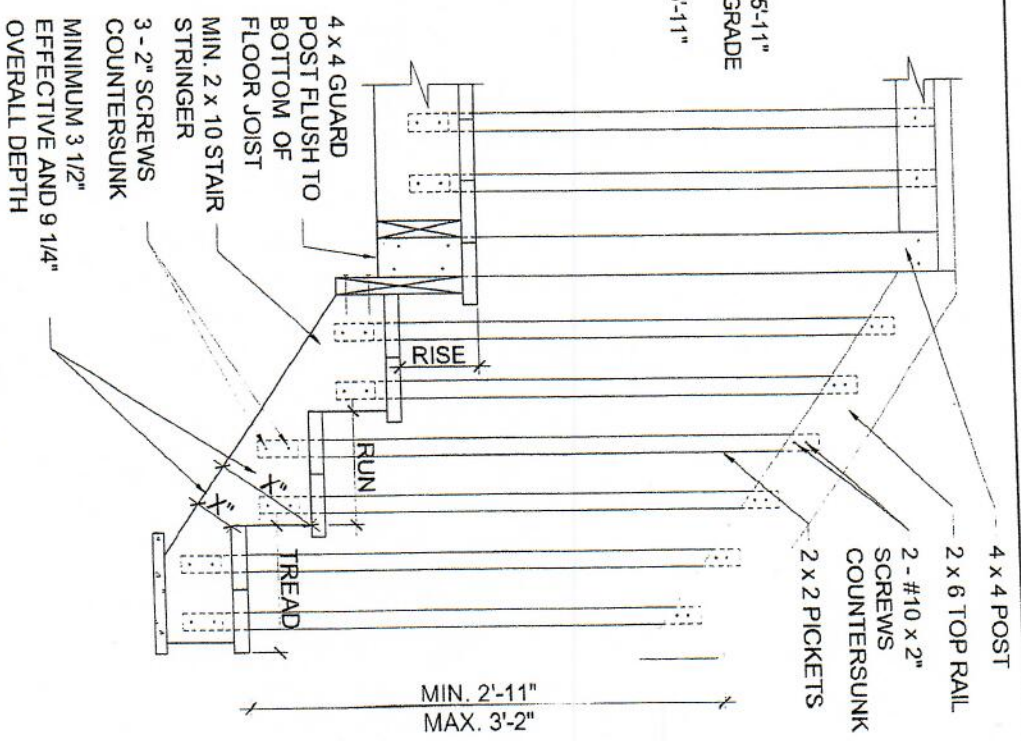
**SOLID BLOCKING REQUIRED FOR BEAMS @ 18" O.C.
**ADDITIONAL LATERAL BRACING MAY BE REQUIRED. CONFIRM WITH BUILDING INSPECTOR @ FRAMING INSPECTION.

DATE: JANUARY 2013
SCALE: NOT TO SCALE
DRAWING NO.: **9-3b**

FOR INFORMATION PURPOSES ONLY



Deck Elevation



Stair Detail

Sonotube Sizes

Diameter	*Weight
8"Ø	1047 lbs
10"Ø	1635 lbs
12"Ø	2355 lbs
14"Ø	3207 lbs
16"Ø	4189 lbs

*Weight = (supported joist length each side of post x half beam length each side of post) x 40 lbs/SF

Stair Dimensions

Type	Max.	Min.
Rise	7 7/8"	4 7/8"
Run	14"	8 1/4"
Tread	14"	9 1/4"

max 1" nosing

*Risers shall have a uniform height in any one flight of stairs.
*Treads shall have a uniform run and tread depth in any one flight of stairs.

Deck Elevations and Details

DATE:

JANUARY 2013

SCALE:
NOT TO SCALE

DRAWING NO.:

9-3C